

OPTIONS

◇ BATTERY PACKS

• BP-278/BP-279/BP-280 BATTERY PACK

Battery pack	Voltage	Capacity	Battery life*
BP-278	7.2 V	1130 mAh (minimum) 1190 mAh (typical)	9 hours
BP-279	7.2 V	1485 mAh (minimum) 1570 mAh (typical)	12 hours
BP-280	7.2 V	2280 mAh (minimum) 2400 mAh (typical)	18 hours

* When the power save function is turned ON, and the operating periods are calculated under the following conditions.

TX : RX : standby = 5 : 5 : 90

◇ CHARGERS

• BC-213 DESKTOP CHARGER + BC-123S AC ADAPTER

To rapid charge a single battery pack.

• BC-214 MULTI CHARGER + BC-157S AC ADAPTER

To rapid charge up to 6 battery packs.

◇ DC CABLES

• CP-23L CIGARETTE LIGHTER CABLE

Use when charging the battery pack from a 12 V cigarette lighter socket. (Use with the BC-213)

• OPC-656 DC POWER CABLE

Use with a 13.8 V power source instead of the power adapter. (Use with the BC-214)

◇ ANTENNAS

• FA-SC25V/FA-SC55V VHF ANTENNAS

FA-SC25V: 136–150 MHz

FA-SC55V: 150–174 MHz

• FA-SC26VS/FA-SC27VS/FA-SC56VS/FA-SC57VS

VHF STUBBY ANTENNAS

FA-SC26VS: 136–144 MHz

FA-SC27VS: 142–150 MHz

FA-SC56VS: 150–162 MHz

FA-SC57VS: 160–174 MHz

• FA-SC61VC VHF CUT ANTENNA

FA-SC61VC: 136–174 MHz

• FA-SC25U/FA-SC57U/FA-SC72U/FA-SC73US

UHF ANTENNAS

FA-SC25U: 400–430 MHz

FA-SC57U: 430–470 MHz

FA-SC72U: 470–520 MHz

FA-SC73US: 450–490 MHz

• FA-SC26US UHF STUBBY ANTENNA

FA-SC26US: 400–450 MHz

• FA-SC01U/FA-SC02U UHF ANTENNA

FA-SC01U: 350–400 MHz

FA-SC02U: 330–380 MHz

• FA-SC61UC UHF CUT ANTENNA

FA-SC61UC: 380–520 MHz

◇ OTHERS

• MB-130 MOBILE BRACKET

Mounts the BC-213 DESKTOP CHARGER on a variety of places in a vehicle.

• MB-133 BELT CLIP

• HM-158LA/HM-159LA/HM-168LWP/HM-171GPW SPEAKER MICROPHONE

Combination speaker-microphone that provides convenient operation while the transceiver is hanging on your belt.

The HM-171GPW includes high-performance GPS receiver.

• Adjust the microphone gain before use.

• HM-153LA/HM-166LA EARPHONE-MICROPHONE

Ideal for hands-free operation. Clip the HM-153LA or HM-166LA (with integrated PTT SWITCH) to your lapel or breast pocket.

• Adjust the microphone gain before use.

• HS-94/HS-95/HS-97 HEADSET

+ VS-4LA PTT SWITCH CABLE

/OPC-2004LA ADAPTER CABLE

HS-94: Ear-hook type

HS-95: Neck-arm type

HS-97: Throat microphone

VS-4LA: To connect to headsets

OPC-2004LA: To connect to headsets for VOX operation

• Adjust the both microphone and VOX gain before use.

• HS-94LWP/HS-95LWP HEADSET

HS-94LWP: Ear-hook type

HS-95LWP: Neck-arm type

• Adjust the both microphone and VOX gain before use.

Some options may not be available in some countries. Ask your dealer for details.

Approved Icom optional equipment is designed for optimal performance when used with an Icom transceiver. Icom is not responsible for the destruction or damage to an Icom transceiver in the event the Icom transceiver is used with equipment that is not manufactured or approved by Icom.

Icom, Icom Inc. and the Icom logo are registered trademarks of Icom Incorporated (Japan) in Japan, the United States, the United Kingdom, Germany, France, Spain, Russia, Australia, New Zealand, and/or other countries.
All other products or brands are registered trademarks or trademarks of their respective holders.

ICOM

INSTRUCTIONS

VHF DIGITAL TRANSCEIVERS

IC-F1000D series

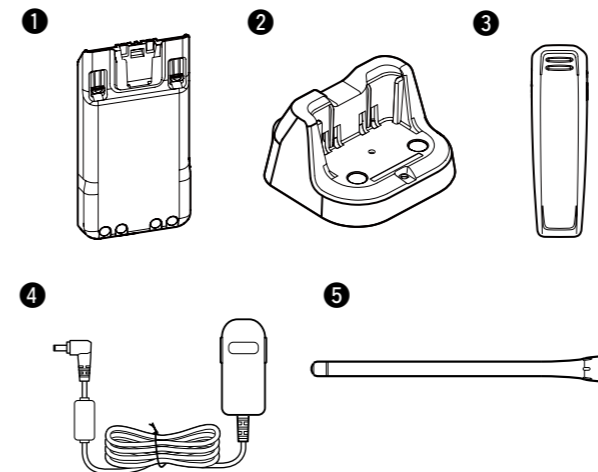
UHF DIGITAL TRANSCEIVERS

IC-F2000D series

Thank you for purchasing the IC-F1000D series VHF DIGITAL TRANSCEIVERS or IC-F2000D series UHF DIGITAL TRANSCEIVERS.

READ ALL INSTRUCTIONS carefully and completely before using the transceiver.

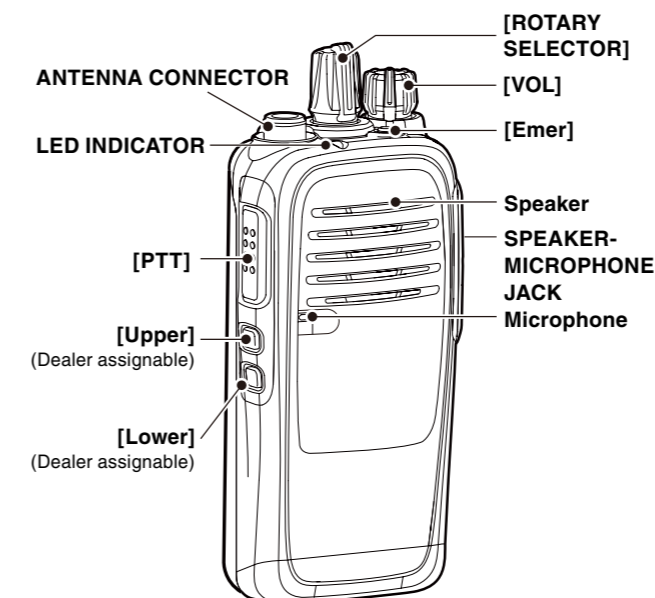
SUPPLIED ACCESSORIES



- 1 Battery pack*
- 2 Battery charger* (BC-213)
- 3 Belt clip (MB-133)
- 4 Power adapter* (for the battery charger)
- 5 Flexible antenna*

*Not supplied, or the shape is different, depending on the transceiver version.

PANEL DESCRIPTION



◇ About the LED Indicator

- Lights red while transmitting.
- Lights green while receiving a signal, or when the squelch is open.
- Lights or blinks orange when the matched 2-Tone or 5-Tone is received, depending on the presetting.
- You should charge the battery when the indicator slowly blinks green.
- You must charge the battery when the indicator blinks green fast.

◇ About the Speaker microphone jack

CAUTION: Only when the jack cover or the optional HM-168LWP, HM-171GPW, HS-94LWP, or HS-95LWP is attached, the transceiver meets IP67 requirements for dust-tight and waterproof protection.

BATTERY CHARGING

◇ Rapid charging the supplied BC-213

The BC-213 DESKTOP CHARGER rapidly charges the Li-ion battery pack.

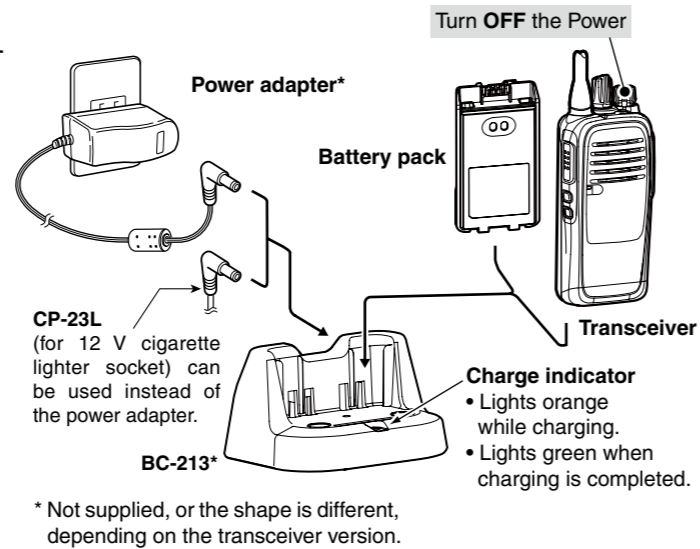
The BC-213 is used with a power adapter or the CP-23L CIGARETTE LIGHTER CABLE (purchase separately).

• Charging time of the BP-280

Approximately 3.5 hours

CAUTION: STOP charging, if the charge indicator lights orange and green alternately.

NOTE: Charge the battery within the specified temperature range of +10°C to +40°C (+50°F to +104°F). Otherwise, the charging time will be longer, but the battery will not reach a full charge. While charging, at a point after the temperature goes out of the specified range, the charging will automatically stop.



◇ Rapid charging the BC-214

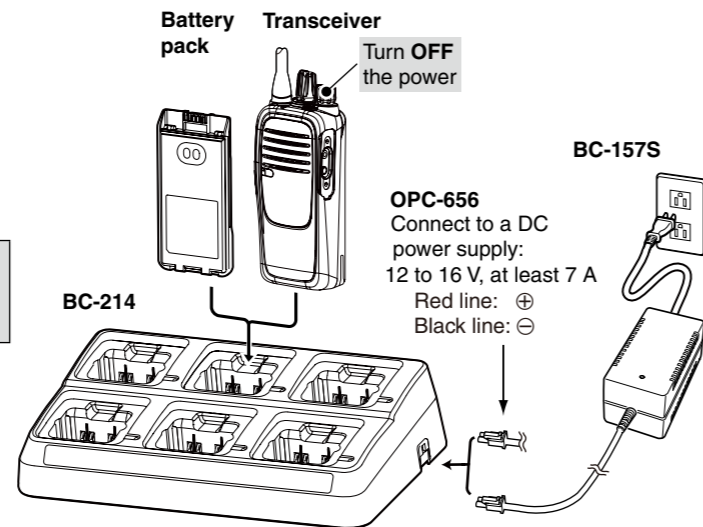
The BC-214 MULTI CHARGER (purchase separately) can simultaneously charge up to 6 Li-ion battery packs.

The BC-214 is used with BC-157S AC ADAPTER (purchase separately) or the OPC-656 DC POWER CABLE (purchase separately).

For more information about Icom accessories, please read the "OPTIONS" printed on the reverse side of this instruction sheet.

• Charging time of the BP-280

Approximately 3.5 hours

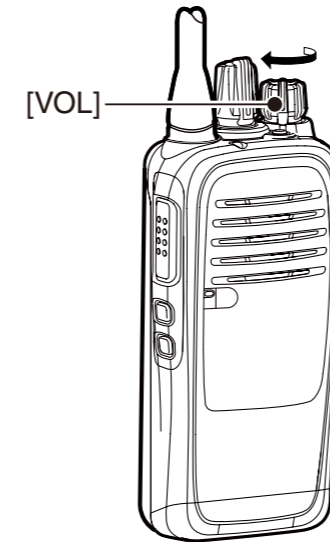


BASIC OPERATION

◇ Turning power ON

Before using the transceiver for the first time, the battery pack must be fully charged for optimum life and operation. See the instructions on page 2.

Rotate [VOL] to turn ON the power.



◇ Receiving and Transmitting

CAUTION:

Attach an antenna before transmitting. Transmitting without an antenna may damage the transceiver.

Receiving:

- ① Rotate [ROTARY SELECTOR] to select a channel.
 - Or, push one of [MR-CH 1], [MR-CH 2], [MR-CH 3], or [MR-CH 4], if assigned to [Upper] or [Lower].
- ② When receiving a call, adjust the audio output level to a comfortable listening level.

Transmitting:

- Wait until the channel is clear to avoid interference.
- ① While holding down [PTT], speak at a normal voice level.
 - ② Release [PTT] to receive.

IMPORTANT:

- To maximize the readability of your signal:
1. After pushing [PTT], pause briefly before you start speaking.
 2. Hold the microphone 5 to 10 cm (2 to 4 inches) from your mouth, then speak at a normal voice level.